

Broil King®



982282
982282D
982283
982283D



982262
982262D
982263
982263D



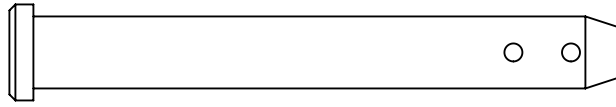
982252
982252D
982253
982253D



HARDWARE INCLUDED

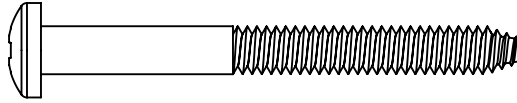


10240-13



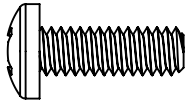
x2

Y-11562



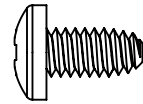
x8

Y-12310



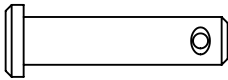
x6

Y-12865



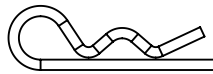
x4

S21235



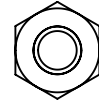
x2

S21233



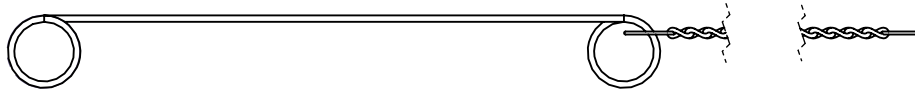
x4

Y-11793



x4

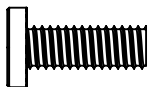
20005-000



x1

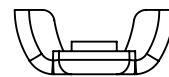
982282, 982283

S35095



x2

S21061



x2

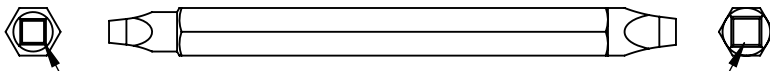


TOOLS REQUIRED



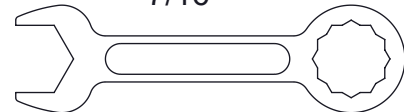
Y-31223

7/16"

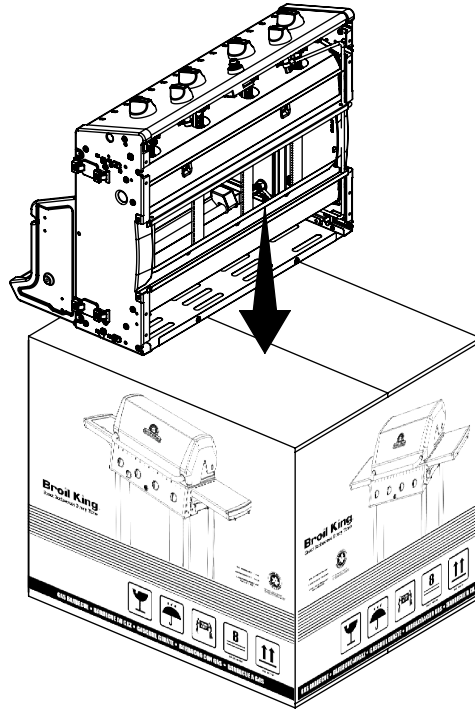


Robertson #2

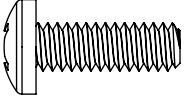
Robertson #3

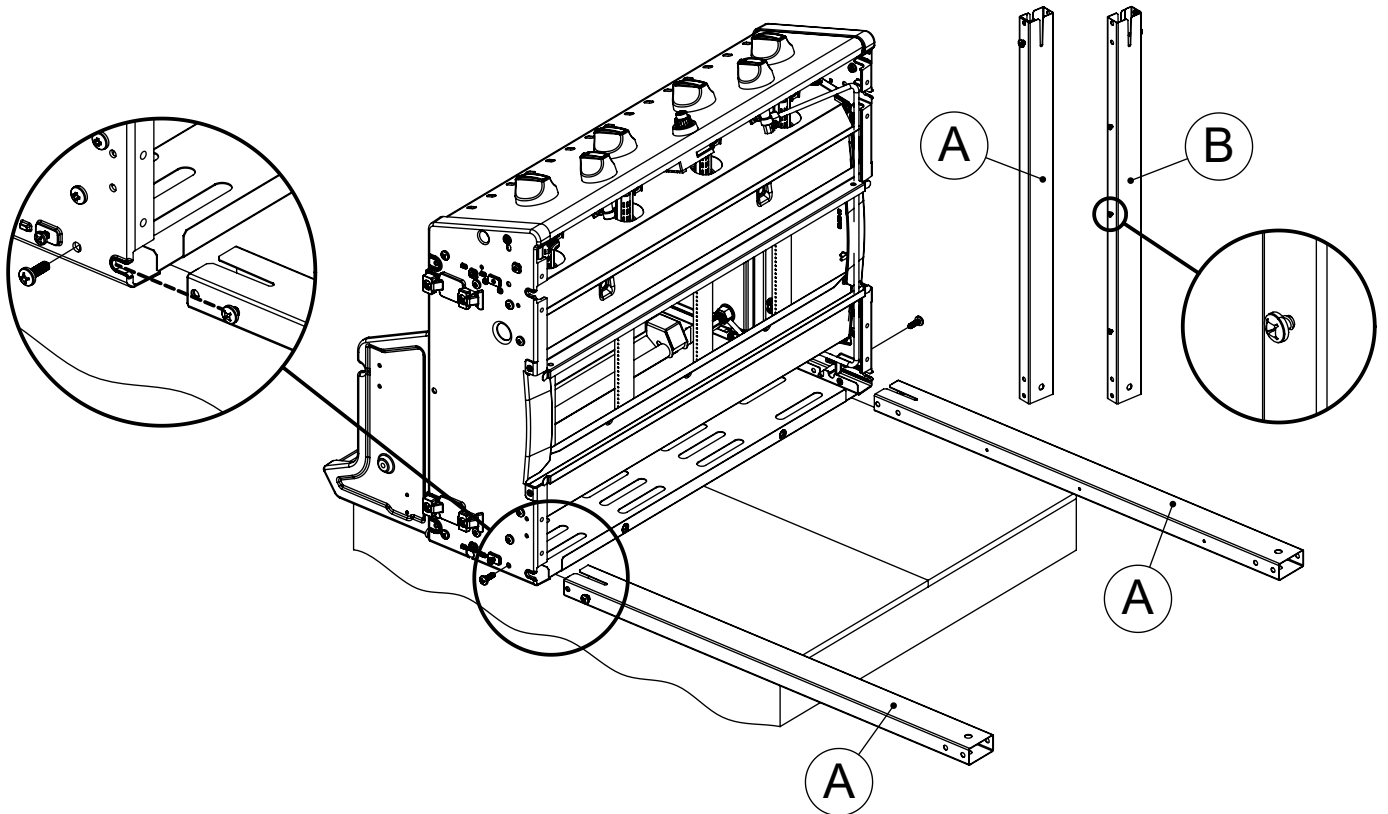


1

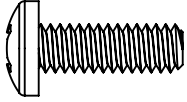


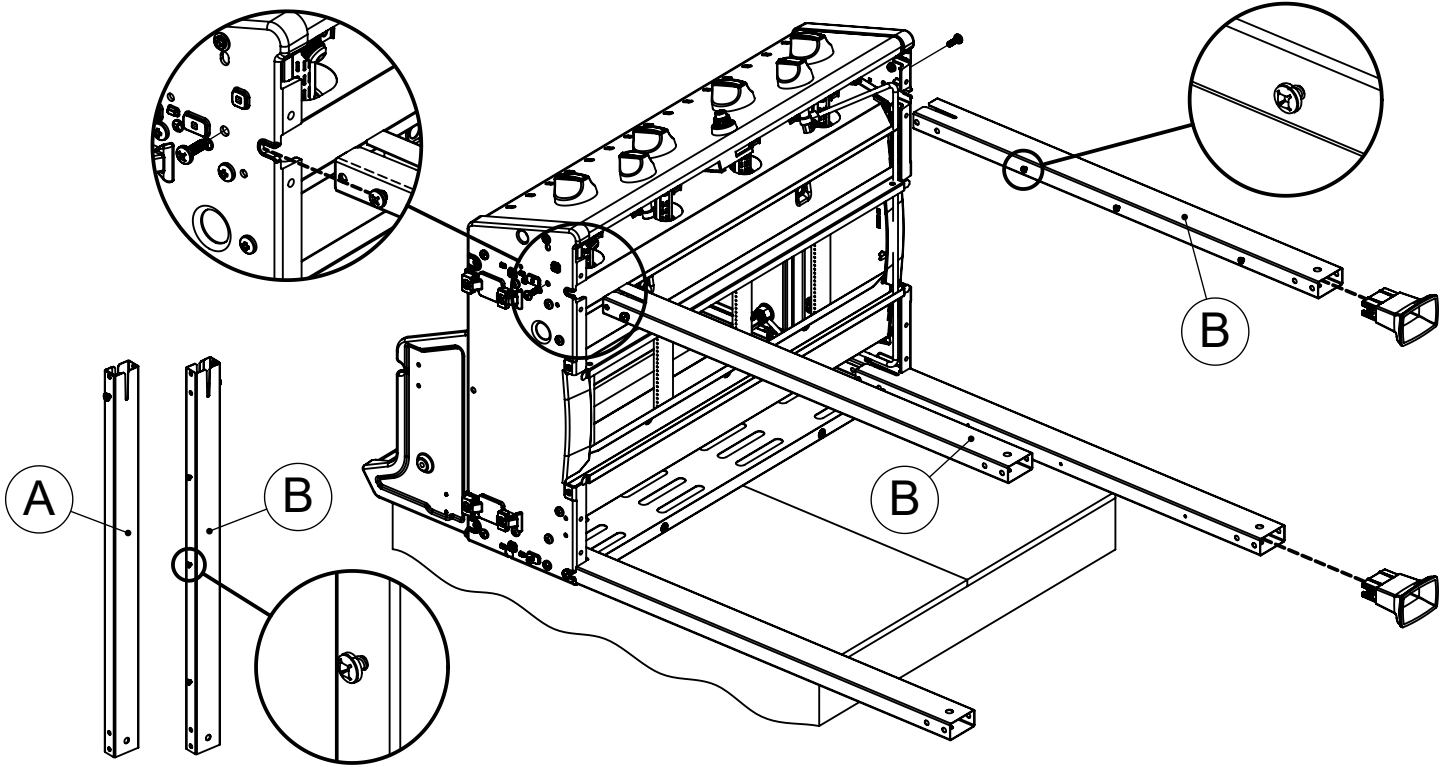
2

(2) 

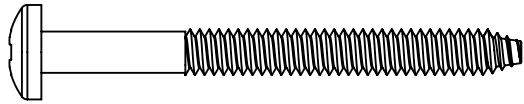


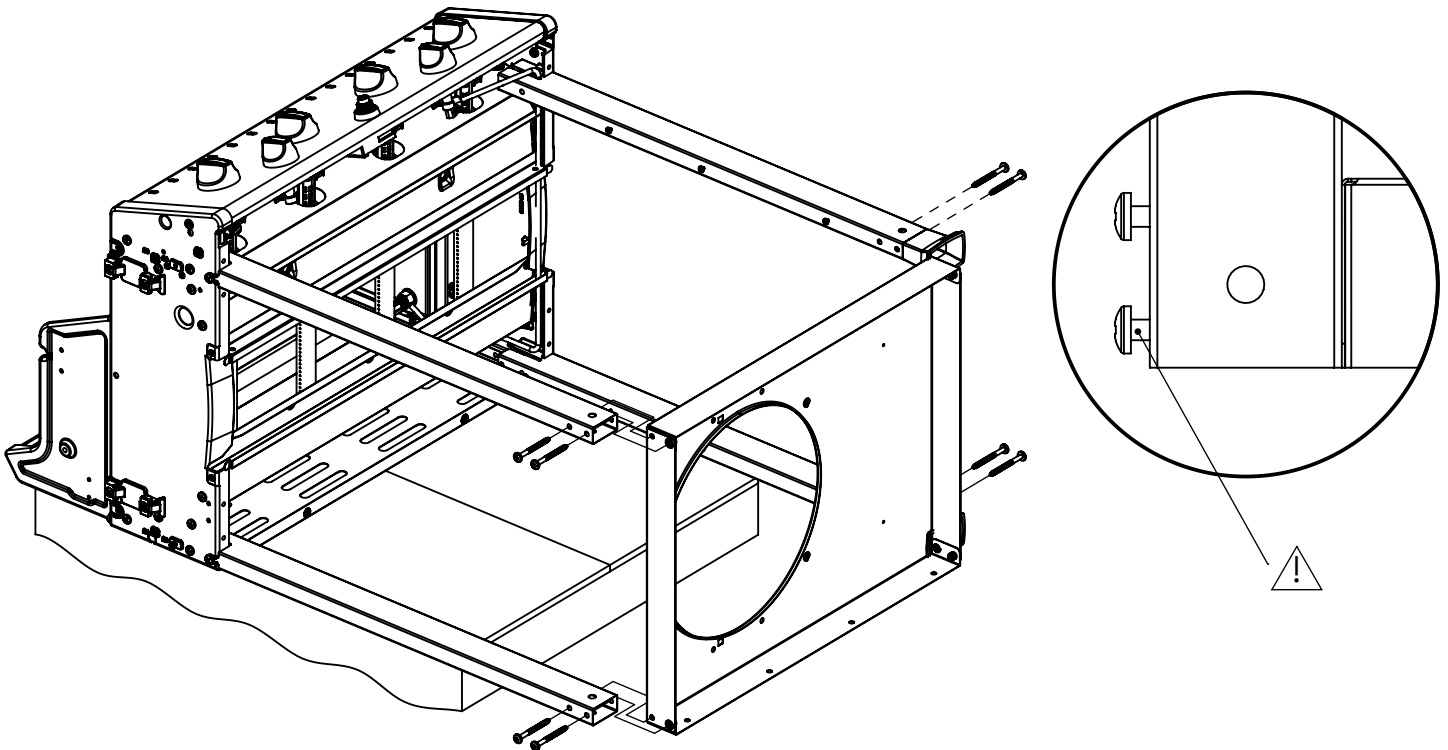
3

(2) 

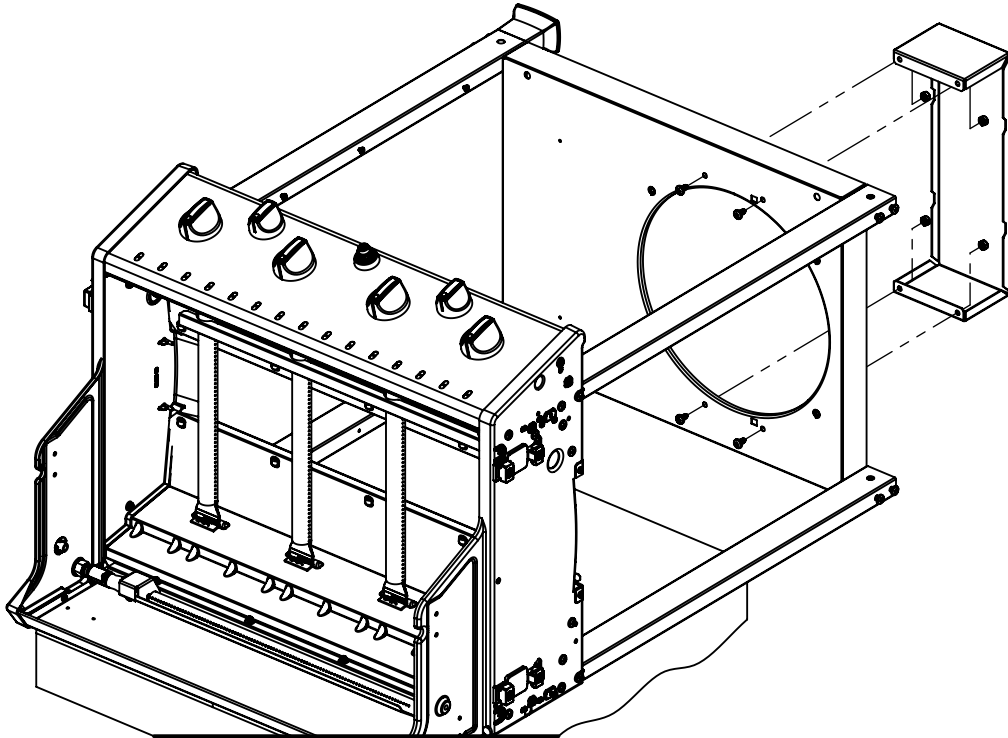
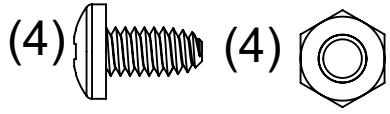


4

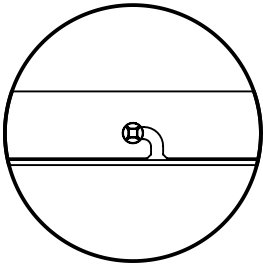
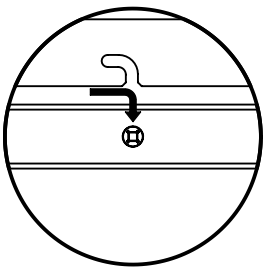
(8) 



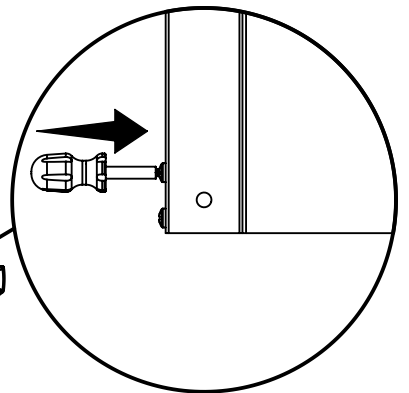
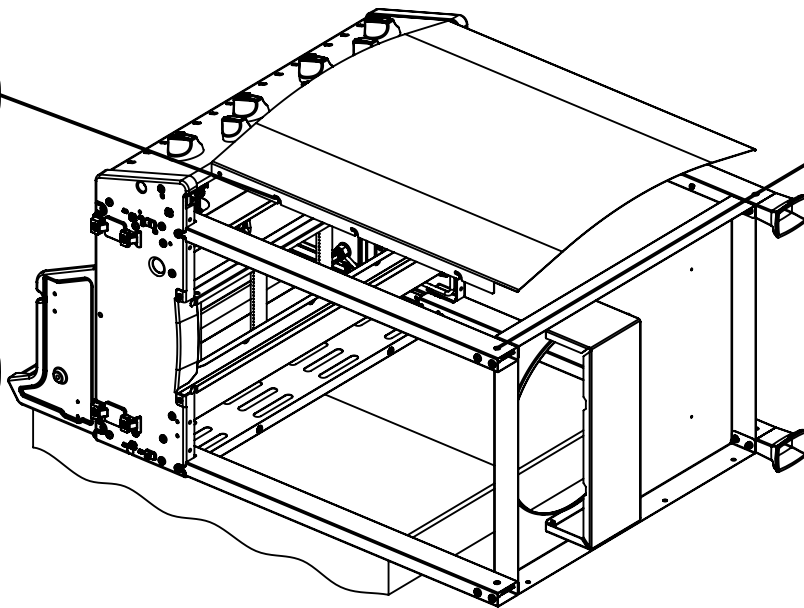
5



6

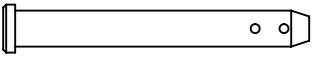
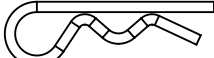


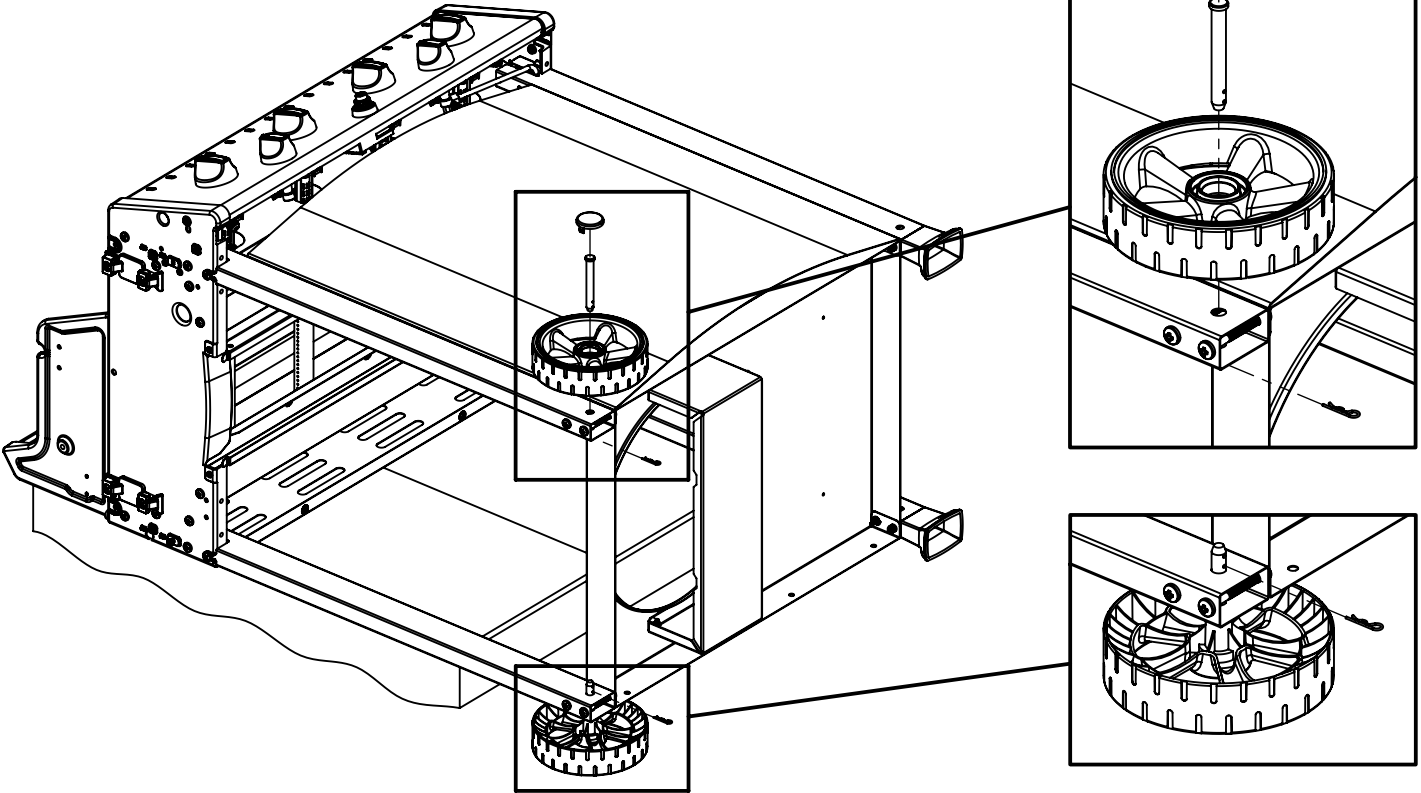
x6



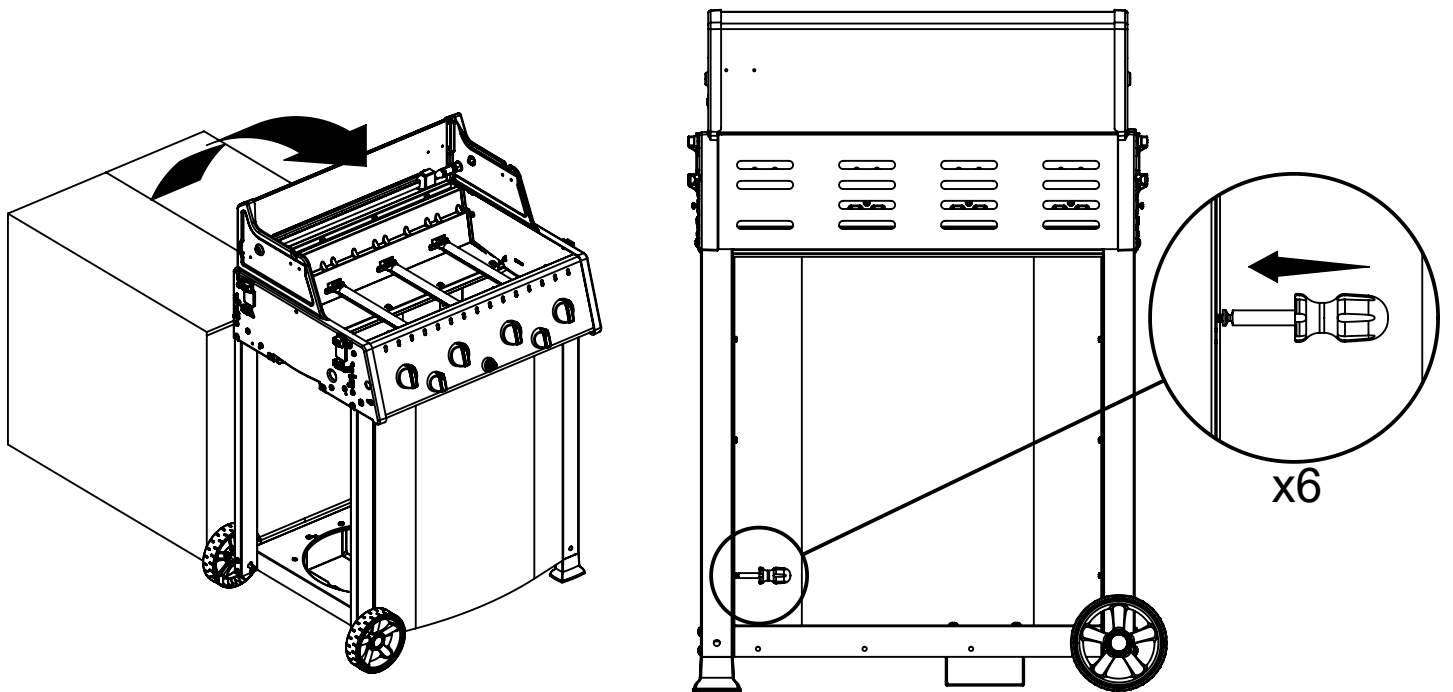
x8

7

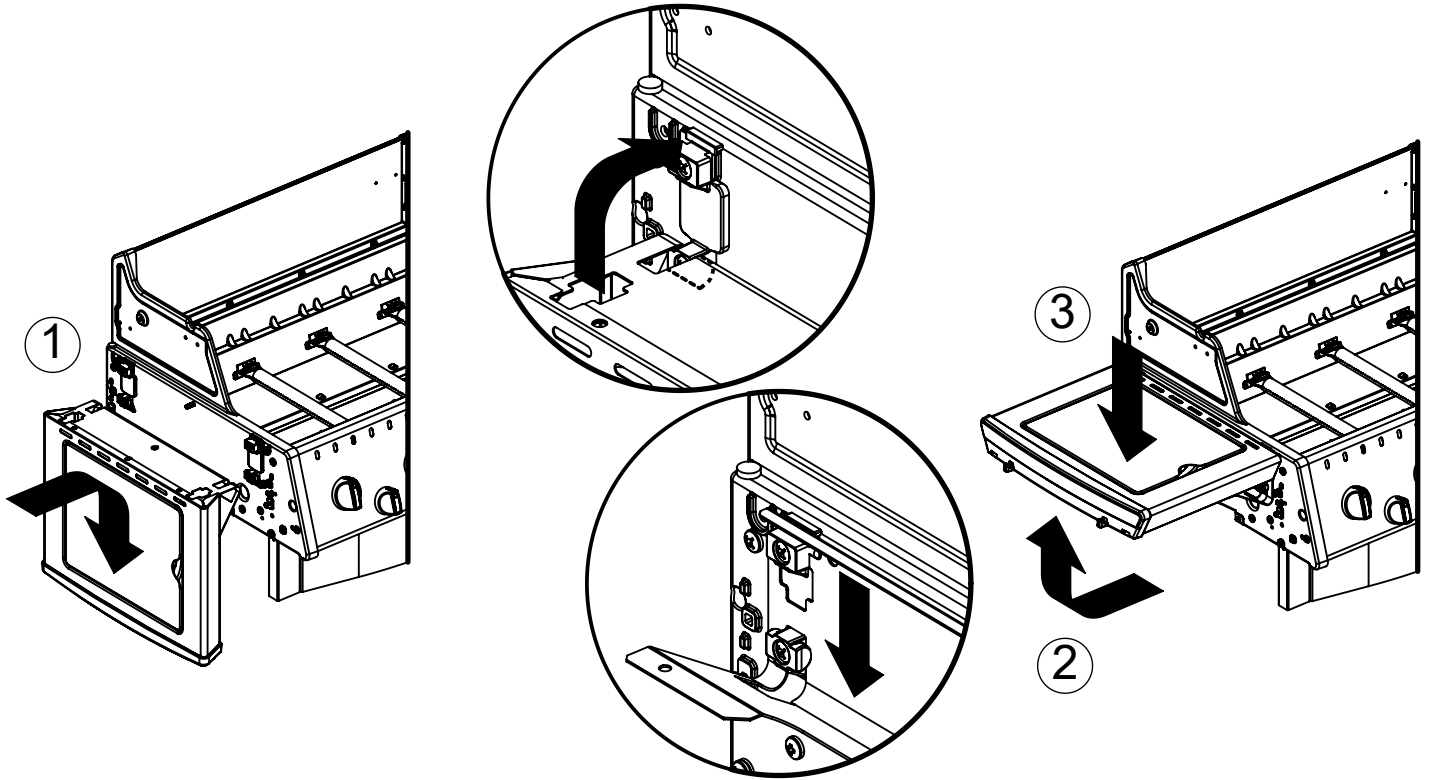
(2)  (2) 



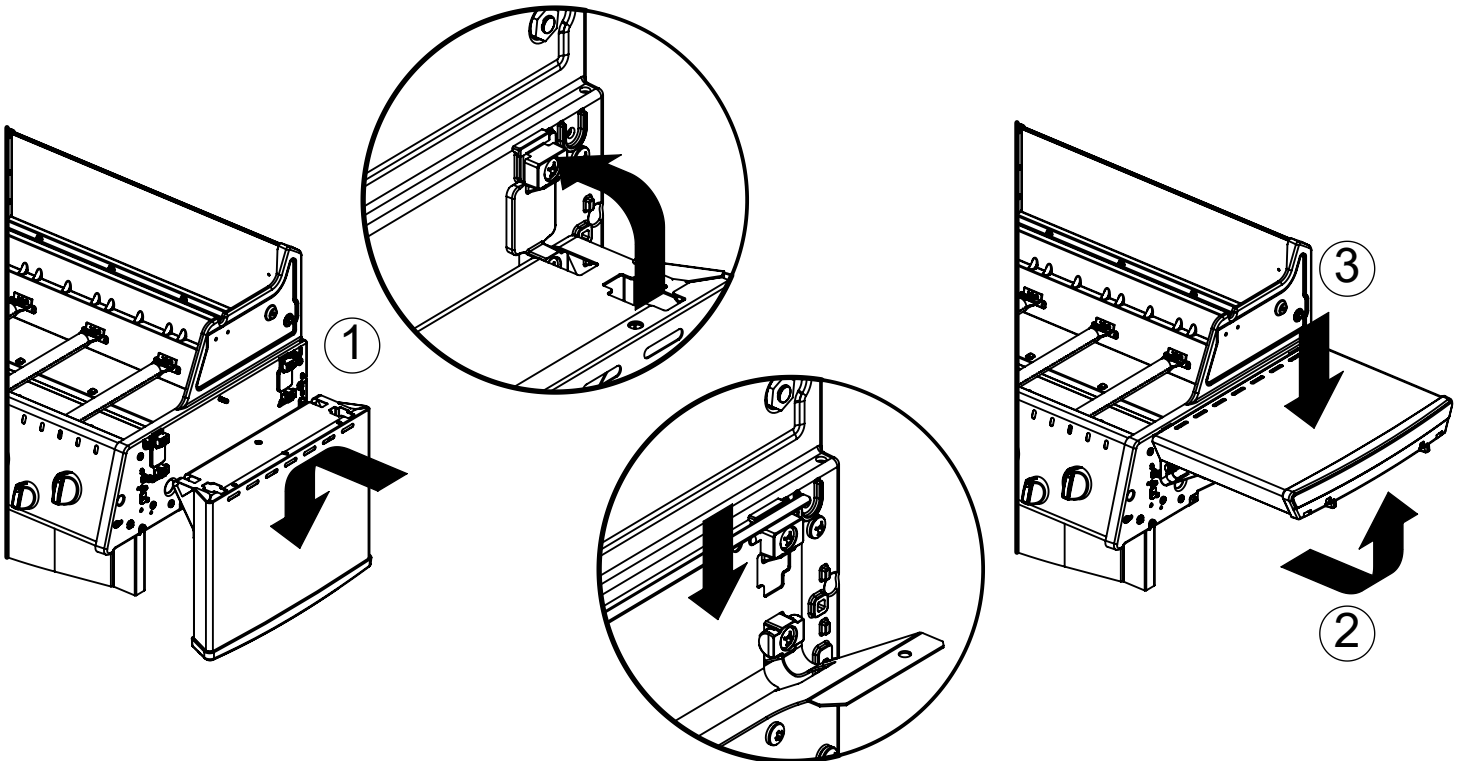
8



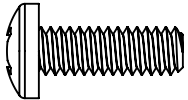
9

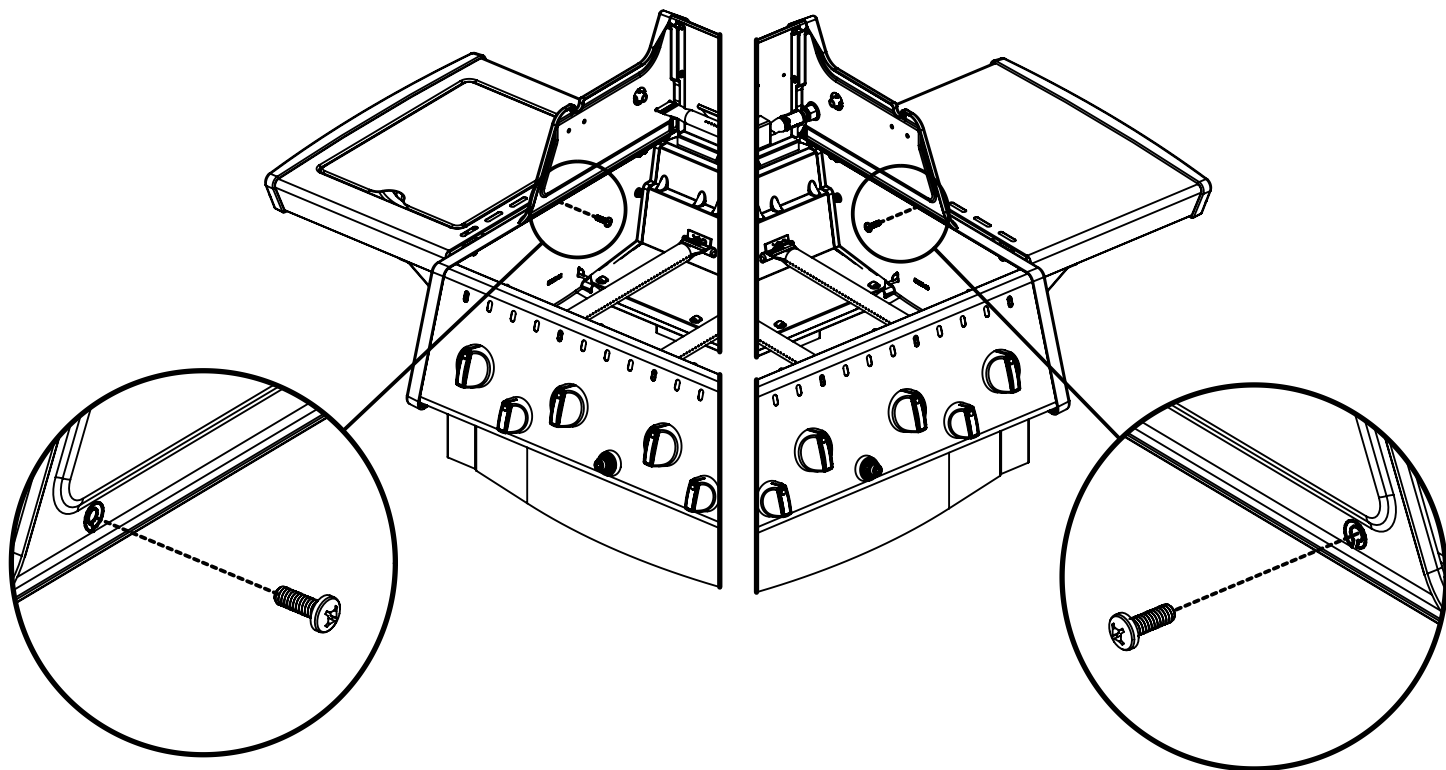


10

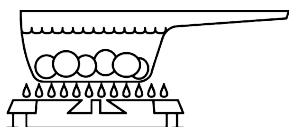


11

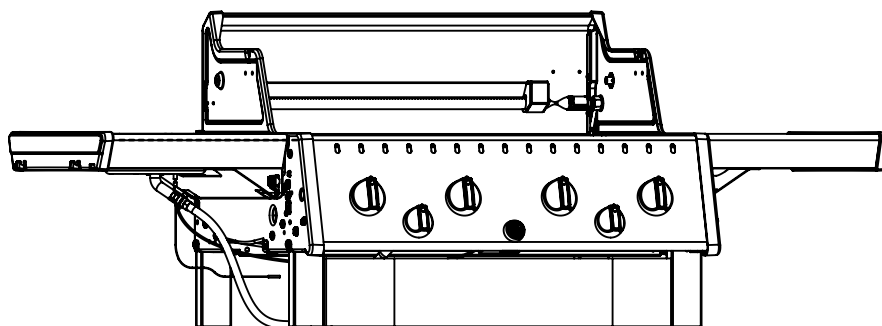
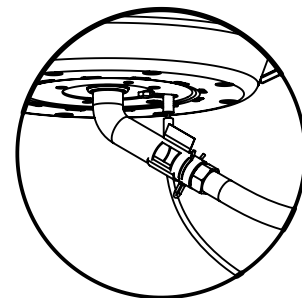
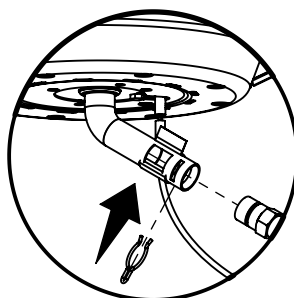
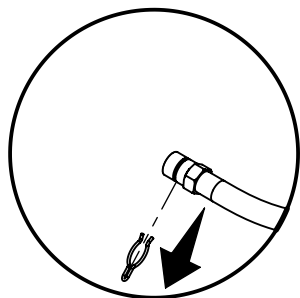
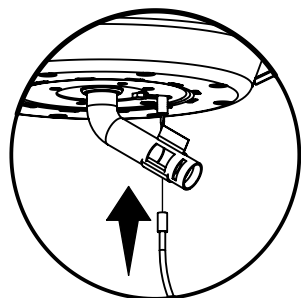
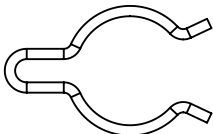
(2) 



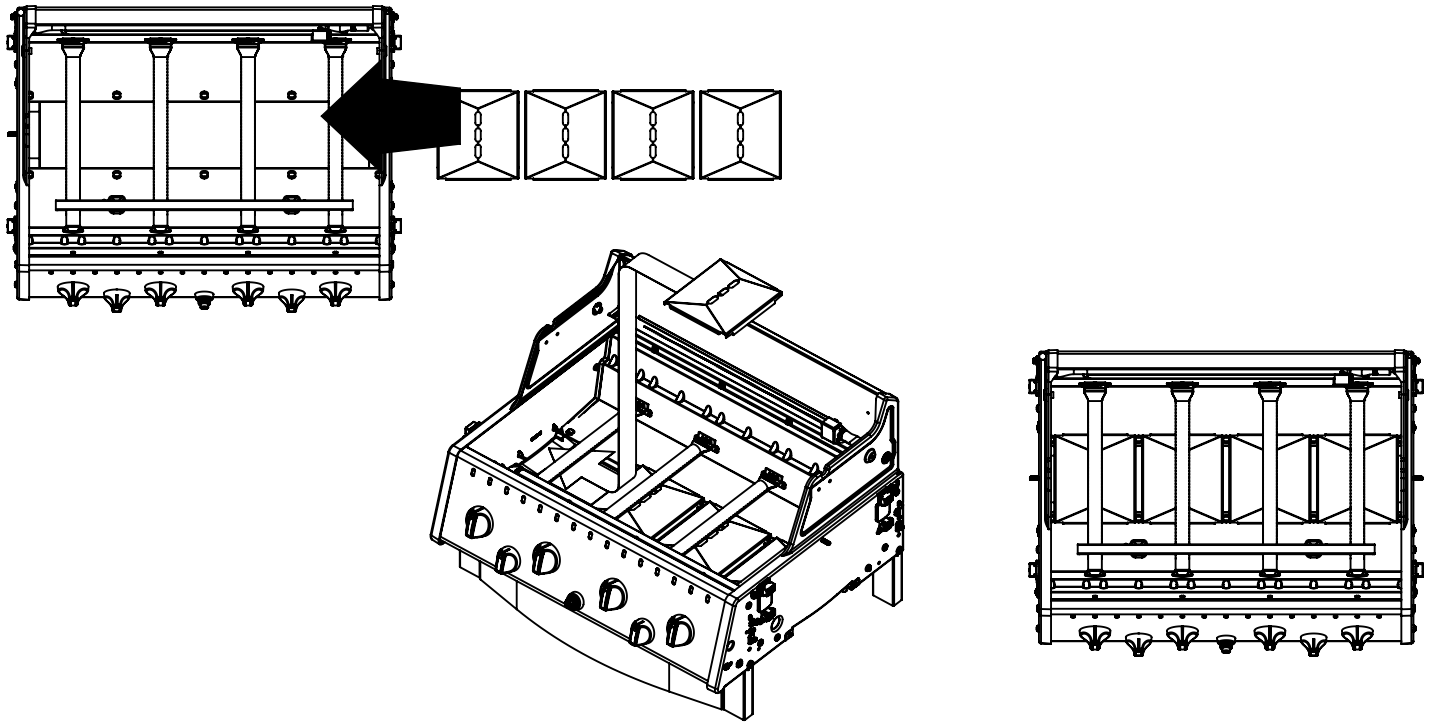
12



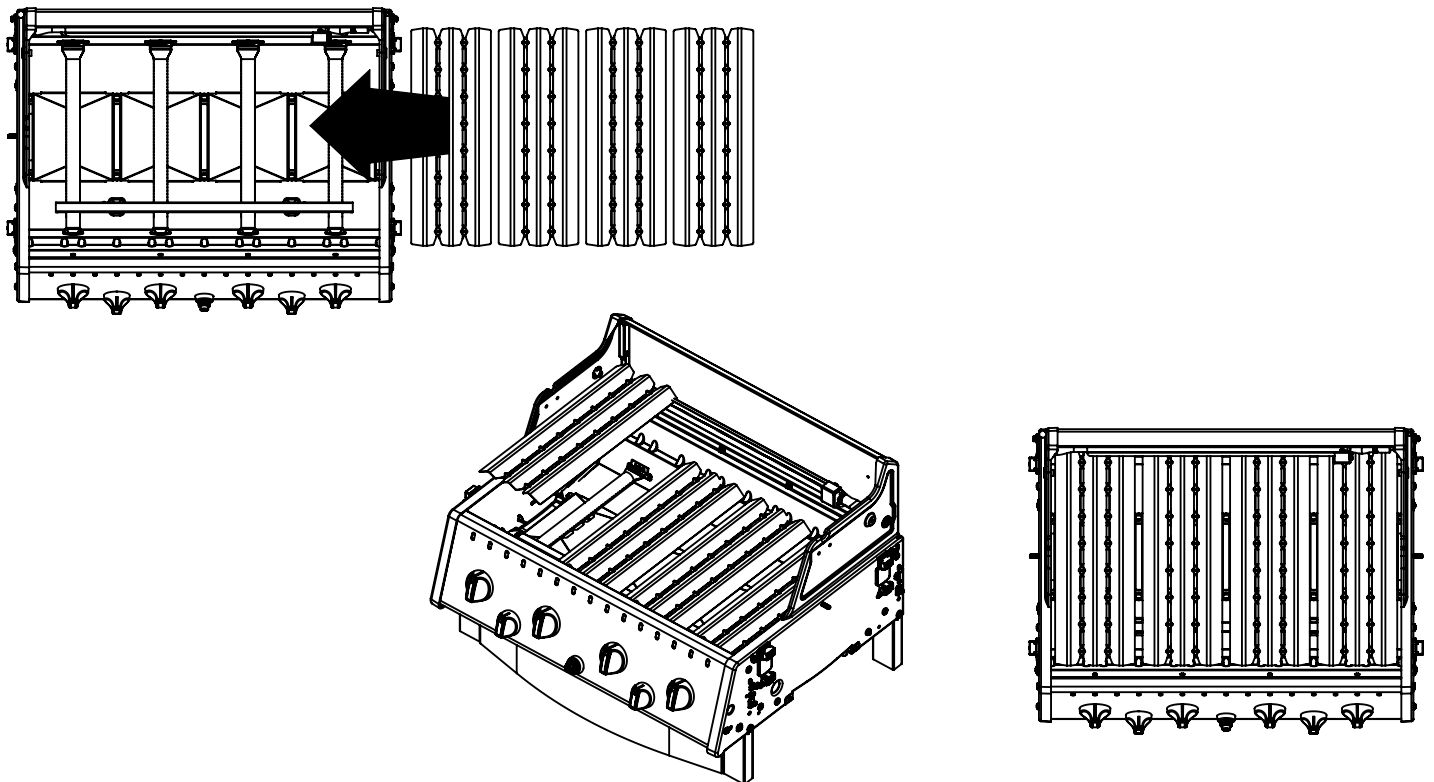
(1)



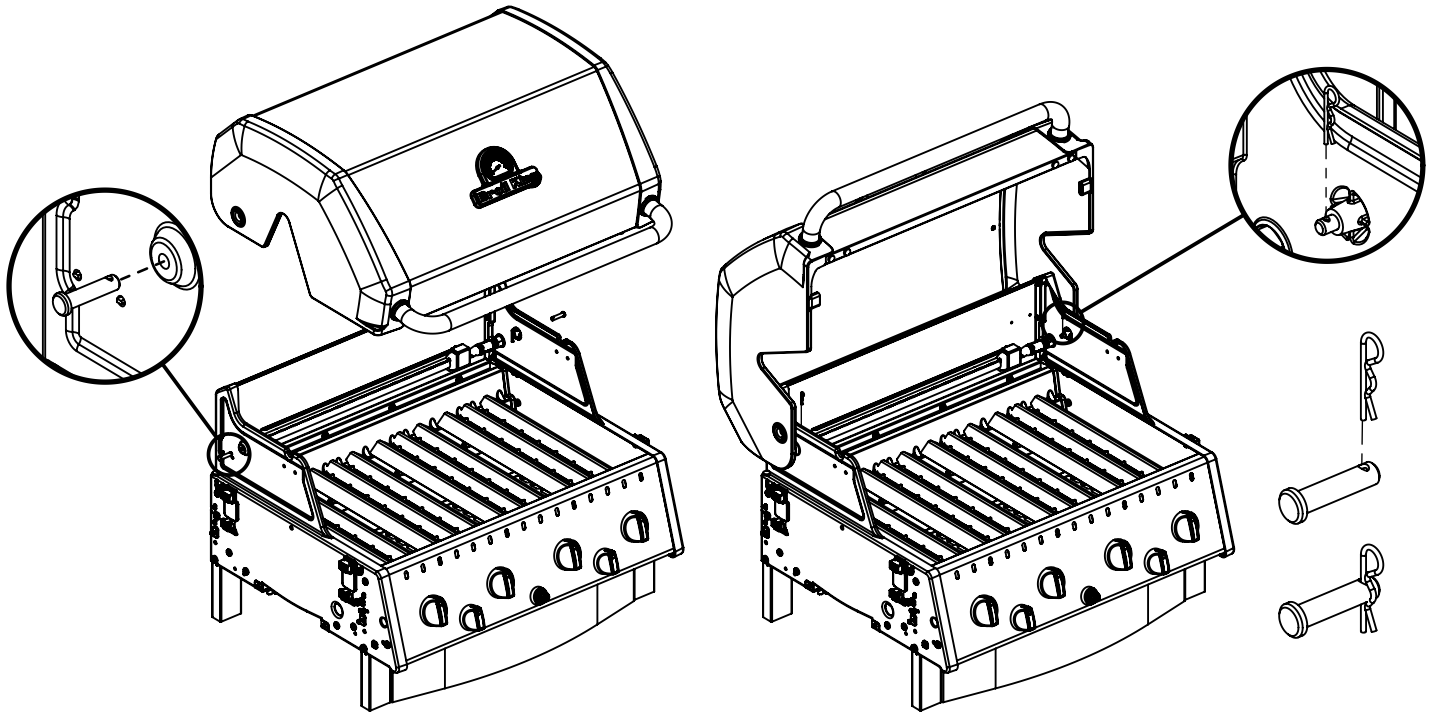
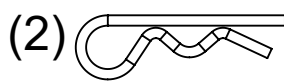
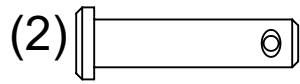
13



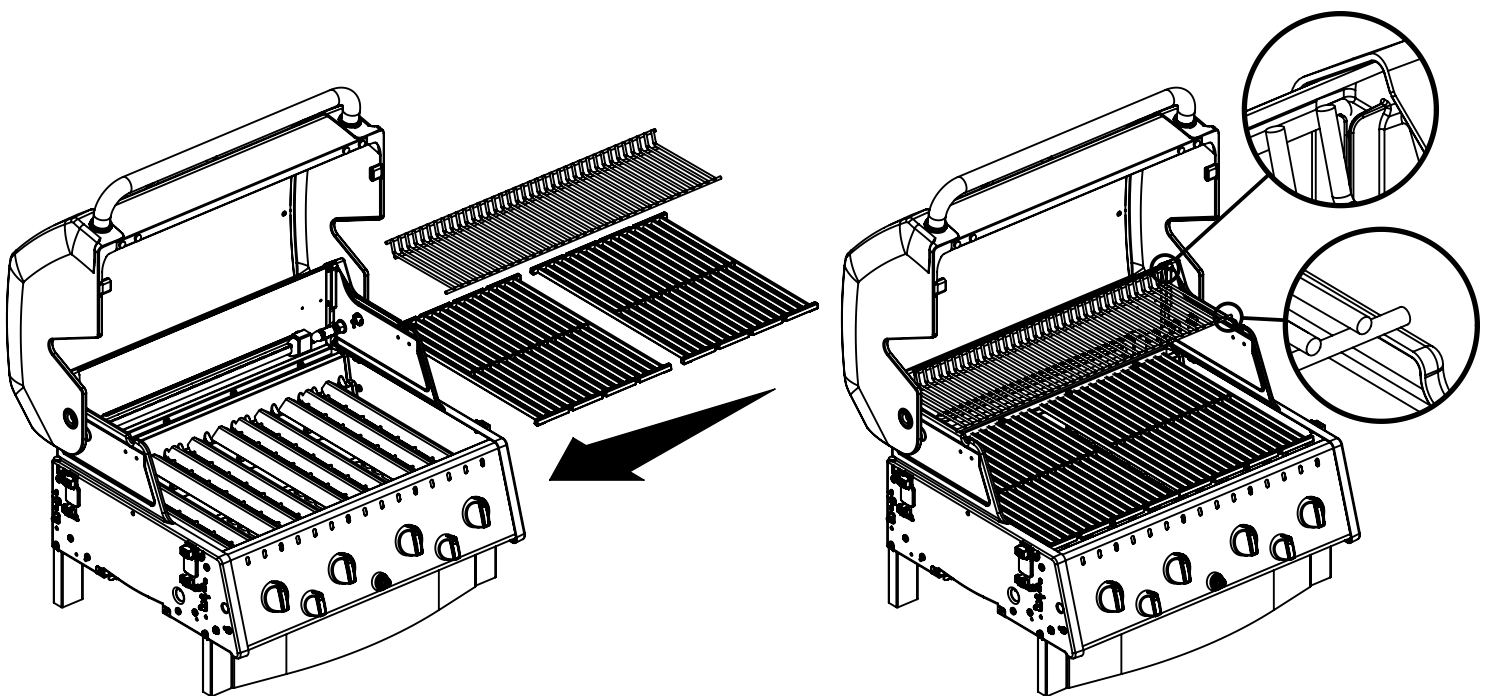
14



15

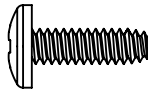


16

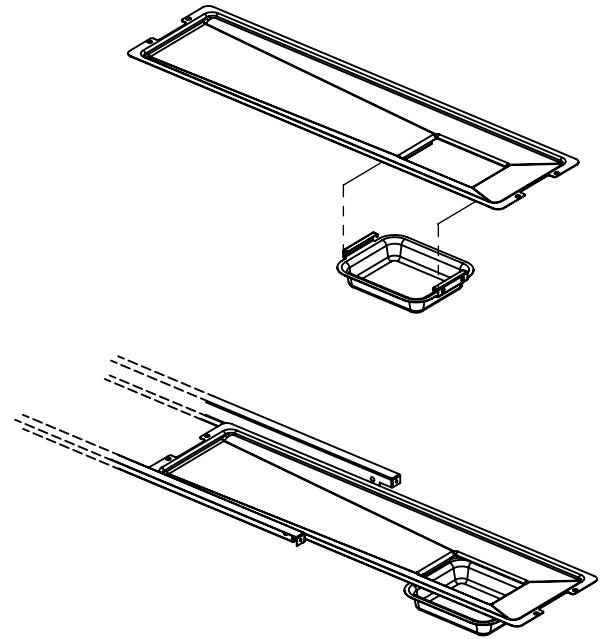
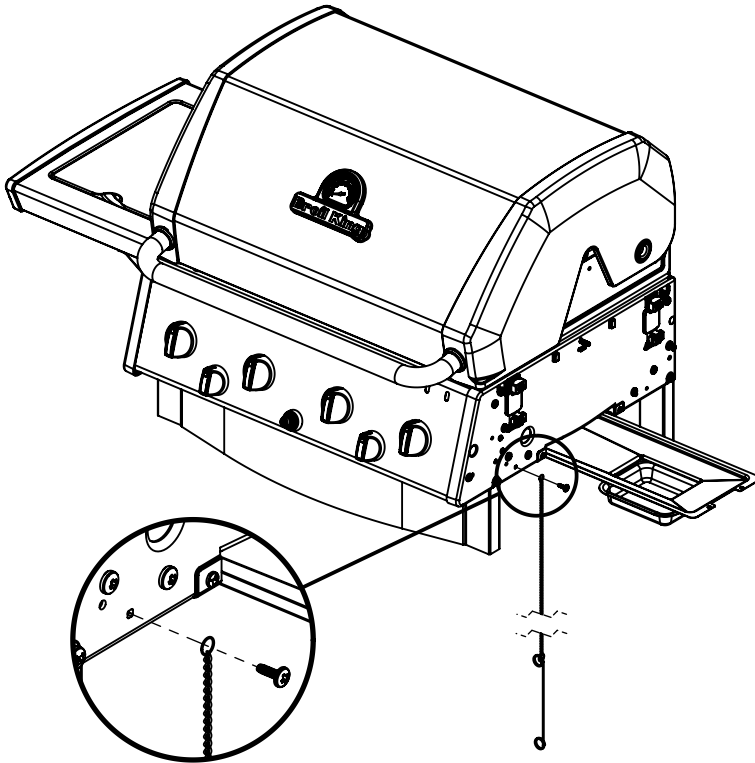


17

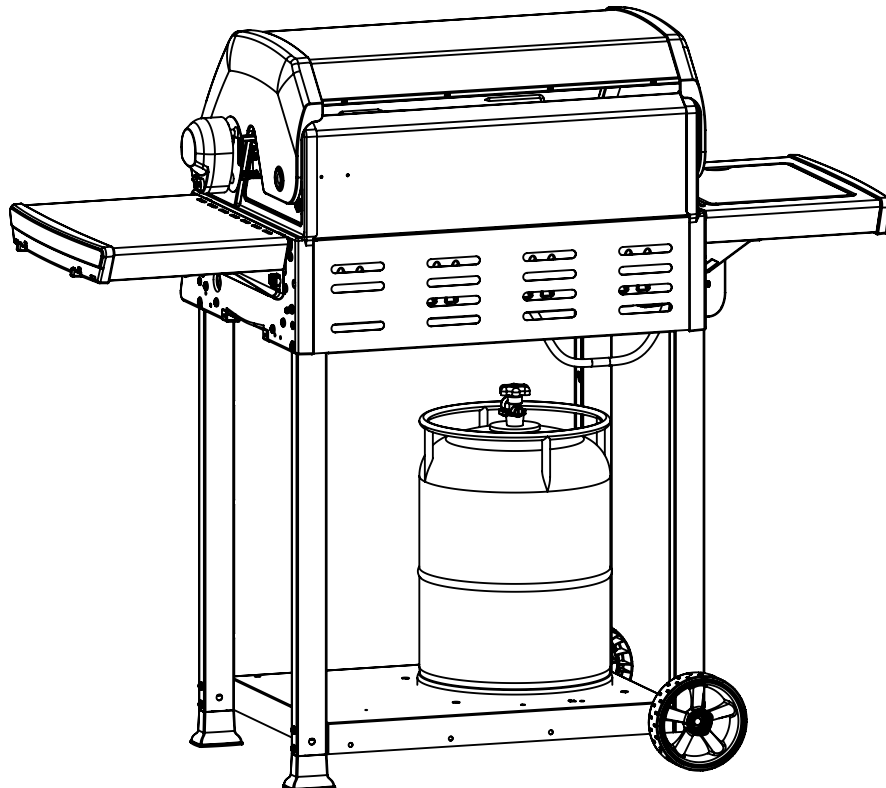
(1)



(1)



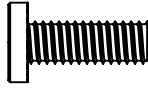
18



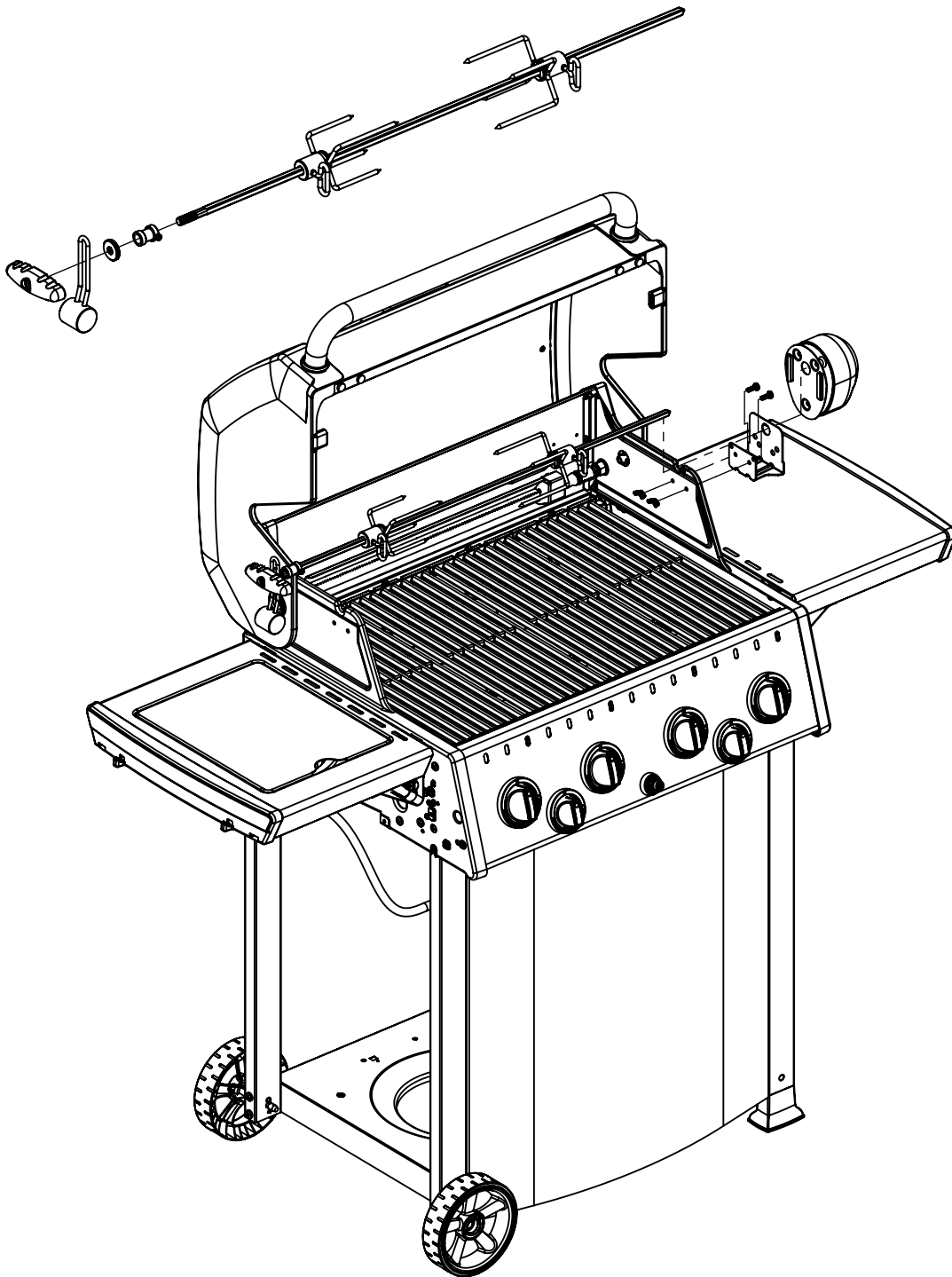
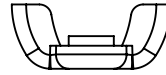
19



(2)



(2)



| KEY # | ITEM # | DESCRIPTION | 982252/D | 982253/D | 982262/D | 982263/D | 982282/D | 982283/D |
|-------|--------------|---------------------------|----------|----------|----------|----------|----------|----------|
| 1 | 56005-801 | LID | 1 | 1 | 1 | 1 | 1 | 1 |
| 5 | 10081-BK630 | NAMEPLATE | 1 | 1 | 1 | 1 | 1 | 1 |
| 6 | 10571-6 | HEAT INDICATOR | 1 | 1 | 1 | 1 | 1 | 1 |
| 7 | 24005-12A | HANDLE | 1 | 1 | 1 | 1 | 1 | 1 |
| 8 | 24009-936 | HANDLE BEZEL | 2 | 2 | 2 | 2 | 2 | 2 |
| 10 | 52105-274 | FIREBOX | 1 | 1 | 1 | 1 | 1 | 1 |
| 15 | 52225-014A | COLLECTOR BOXES | 1 | 1 | 1 | 1 | 1 | 1 |
| 17 | 27249-904 | GREASE SHEILD | 4 | 4 | 4 | 4 | 4 | 4 |
| 19 | 10342-E13 | ELECTRODE | 2 | 2 | 2 | 2 | 2 | 2 |
| 21 | 21035-991 | GREASE TRAY - RAIL | 2 | 2 | 2 | 2 | 2 | 2 |
| 25 | 52909-144D | BURNER - MAIN | 4 | • | 4 | • | 4 | • |
| | 52909-144E | | • | 4 | • | 4 | • | 4 |
| | 52909-144NGE | | • | • | • | • | • | • |
| 27 | 52025-304CRO | CONTROL COVER | • | • | • | • | 1 | 1 |
| | 52025-244CRO | | • | • | 1 | 1 | • | • |
| | 52025-124CRO | | 1 | 1 | • | • | • | • |
| 29 | 59005-072 | CONTROL ASSEMBLY | • | • | • | • | 1 | • |
| | 59005-075 | | • | • | • | • | • | 1 |
| | 59005-032 | | • | • | 1 | • | • | • |
| | 59005-035 | | • | • | • | 1 | • | • |
| | 59005-012 | | 1 | • | • | • | • | • |
| | 59005-015 | | • | 1 | • | • | • | • |
| 30 | S13473-073 | HOSE - SIDE BURNER | • | • | 1 | • | 1 | • |
| | S13473-079 | | • | • | • | 1 | • | 1 |
| | S13473-118 | | • | • | • | • | • | • |
| 33 | 27905-354 | BURNER - ROTISSERIE | • | • | • | • | 1 | 1 |
| 34 | S15516A | ELECTRODE | • | • | • | • | 1 | 1 |
| 35 | 50809-957 | MANIFOLD - REAR BURNER | • | • | • | • | 1 | 1 |
| 36 | Y-11990 | NUT HEX | • | • | • | • | 1 | 1 |
| 40 | 10472-K431 | CONTROL KNOB | 4 | 4 | 4 | 4 | 4 | 4 |
| 41 | 10472-K231 | CONTROL KNOB | • | • | 1 | 1 | 2 | 2 |
| 42 | 10342-247 | ELECTRONIC IGNITOR | • | • | • | • | 1 | 1 |
| | 10342-246 | | • | • | 1 | 1 | • | • |
| | 10342-245 | | 1 | 1 | • | • | • | • |
| 47 | 57055-901 | GREASE TRAY | 1 | 1 | 1 | 1 | 1 | 1 |
| 49 | 52009-901 | GREASE PAN | 1 | 1 | 1 | 1 | 1 | 1 |
| 50 | 52209-404 | FLAV-R-WAVE ® | 4 | 4 | 4 | 4 | 4 | 4 |
| 52 | 52002-981 | GRID - DOUBLE | 2 | 2 | 2 | 2 | 2 | 2 |
| 54 | 52005-991 | GRID - WARMING RACK | 1 | 1 | 1 | 1 | 1 | 1 |
| 60 | 51085-116 | FRONT PANEL | 1 | 1 | 1 | 1 | 1 | 1 |
| 61 | 51209-101 | LEG | 4 | 4 | 4 | 4 | 4 | 4 |
| 63 | 52340-202 | LEG - BRACKET | 4 | 4 | 4 | 4 | 4 | 4 |
| 65 | 51695-131R | CABINET - LOWER BASE | 1 | 1 | 1 | 1 | 1 | 1 |
| 67 | 21039-301 | TANK BRACKET | 1 | 1 | 1 | 1 | 1 | 1 |
| 72 | 51429-158 | LEG PLUG | 2 | 2 | 2 | 2 | 2 | 2 |
| 74 | 10892-608 | WHEEL | 2 | 2 | 2 | 2 | 2 | 2 |
| 75 | 10240-13 | WHEEL - PIN | 2 | 2 | 2 | 2 | 2 | 2 |
| 76 | 32001-152 | WHEEL - CAP | 2 | 2 | 2 | 2 | 2 | 2 |
| 80 | 50711-E111A | SIDE SHELF | 2 | 2 | 1 | 1 | 1 | 1 |
| 82 | 50711-E131A | SIDE SHELF - SIDE BURNER | • | • | 1 | 1 | 1 | 1 |
| 86 | 10390-E10D | SIDE BURNER | • | • | • | • | 1 | • |
| | 10390-E10E | | • | • | • | 1 | • | 1 |
| | 10390-E10NGE | | • | • | • | • | • | • |
| 87 | 53004-271 | SIDE BURNER - BODY | • | • | 1 | 1 | 1 | 1 |
| 88 | 53000-251 | SIDE BURNER - COVER | • | • | 1 | 1 | 1 | 1 |
| 89 | 53009-951 | SIDE BURNER GRID | • | • | 1 | 1 | 1 | 1 |
| 92 | 10342-T21 | SIDE BURNER ELECTRODE | • | • | 1 | 1 | 1 | 1 |
| 108 | 10693-099 | REAR BURNER ORIFICE | • | • | • | • | 1 | • |
| | 10693-104 | | • | • | • | • | • | 1 |
| 110 | S15271 | HANDLE | • | • | • | • | 1 | 1 |
| 111 | S15270 | BALANCE | • | • | • | • | 1 | 1 |
| 112 | S15299 | WASHER | • | • | • | • | 1 | 1 |
| 113 | S15263 | BUSHING | • | • | • | • | 1 | 1 |
| 114 | S15256 | ROTISSERIE ROD | • | • | • | • | 1 | 1 |
| 115 | S15259 | 4 PRONG FORK | • | • | • | • | 2 | 2 |
| 116 | 57039-901 | ROTISSERIE BRACKET | • | • | • | • | 1 | 1 |
| 125 | Y-12835 | SCREW - #6 X 1/4 | • | • | 2 | 2 | 2 | 2 |
| 127 | S21125 | SCREW - #8 X 3/8 | 4 | 4 | 4 | 4 | 4 | 4 |
| 129 | S21124 | SCREW - #8 X 1/2 | 6 | 6 | 6 | 6 | 6 | 6 |
| 130 | Y-12641 | SCREW - SHOULDER #8 X 1/2 | 2 | 2 | 2 | 2 | 2 | 2 |
| 131 | S21127S | SCREW - #8-32 X 1/2 | 4 | 4 | 5 | 5 | 6 | 6 |
| 135 | S35095 | SCREW - #10-24 X 5/8 | 1 | 1 | 1 | 1 | 1 | 1 |
| 137 | S35094 | SCREW - #10-24 X 5/8 | • | • | • | • | 2 | 2 |
| 140 | Y-12865 | SCREW - 1/4-20 X 1/2 | 6 | 6 | 6 | 6 | 6 | 6 |
| 141 | Y-12310 | SCREW - 1/4-20 X 3/4 | 10 | 10 | 10 | 10 | 10 | 10 |
| 142 | Y-11559 | SCREW - 1/4-20 X 1 | 2 | 2 | 2 | 2 | 2 | 2 |
| 143 | Y-11562 | SCREW - 1/4-20 X 2-3/8 | 8 | 8 | 8 | 8 | 8 | 8 |
| 150 | Y-11793 | NUT - 1/4-20 | 4 | 4 | 4 | 4 | 4 | 4 |
| 154 | S21061 | WING NUT - #10-24 | • | • | • | • | 1 | 1 |
| 169 | Y-11230 | RETAINER CLIP | • | • | 1 | 1 | 1 | 1 |
| 170 | S21235 | HINGE PIN | 2 | 2 | 2 | 2 | 2 | 2 |
| 171 | S21233 | CLIP | 4 | 4 | 4 | 4 | 4 | 4 |
| 180 | SP25-11 | LID BUMPER | 2 | 2 | 2 | 2 | 2 | 2 |
| 181 | Y-11231 | LID BUMPER - ROUND | 2 | 2 | 2 | 2 | 2 | 2 |
| 182 | 20005-000 | MATCH LIGHT CHAIN | 1 | 1 | 1 | 1 | 1 | 1 |
| 186 | Y-11544 | BURNER SCREW | 4 | 4 | 4 | 4 | 4 | 4 |
| 187 | S21242 | CLIP | 4 | 4 | 4 | 4 | 4 | 4 |
| 188 | S21362 | SPRING | • | • | • | • | 1 | 1 |

