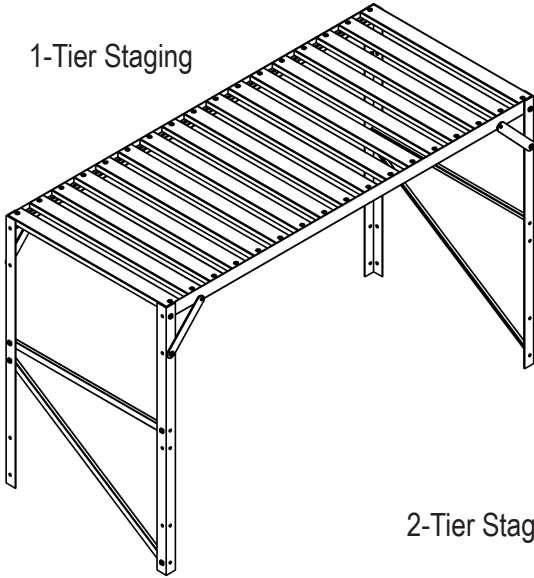


Assembly instructions

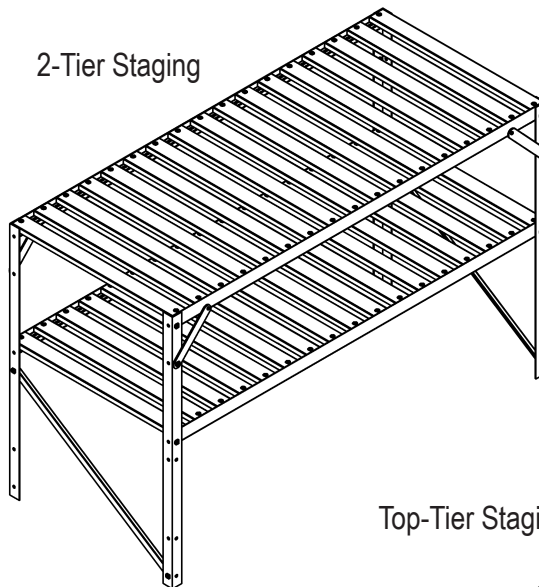
- (D) Montageanleitung
- (NL) Montage Instructies
- (S) Monteringsanvisning
- (SF) Kokoonpano-ohjeet

- (F) Notice de Montage
- (DK) Montagevejledning
- (N) Montasjeveiledning
- (CZ) Návod na montáž

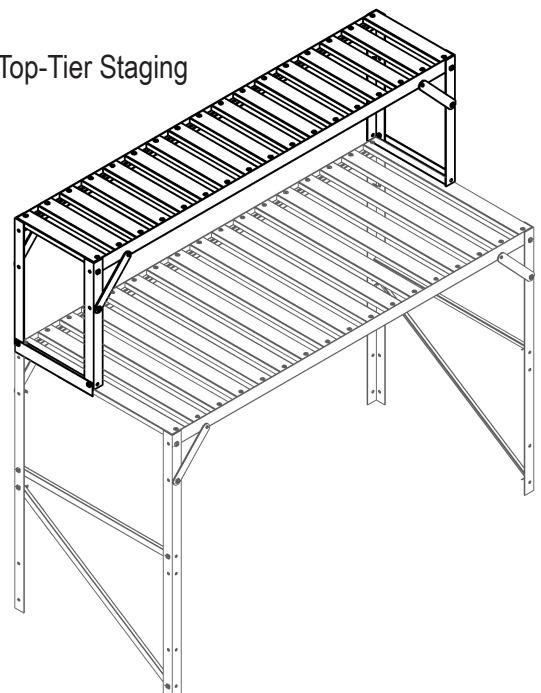
1-Tier Staging



2-Tier Staging



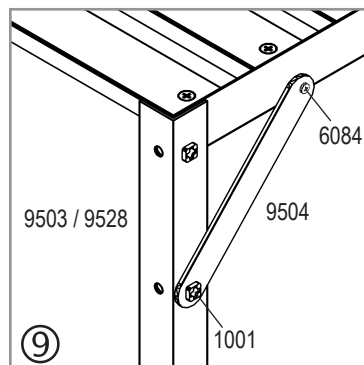
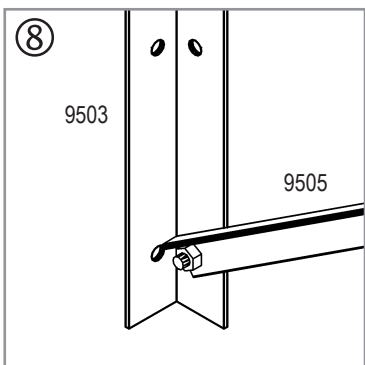
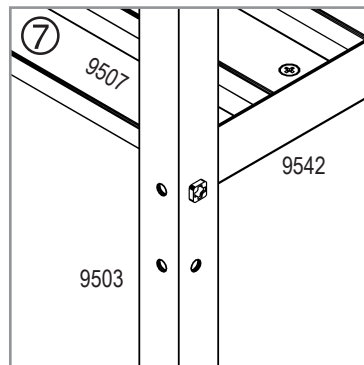
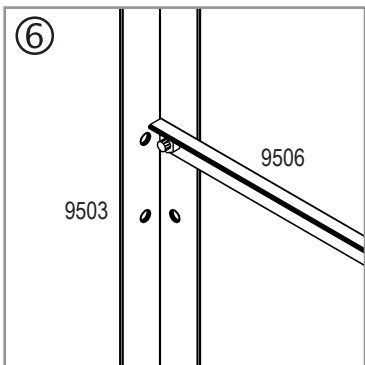
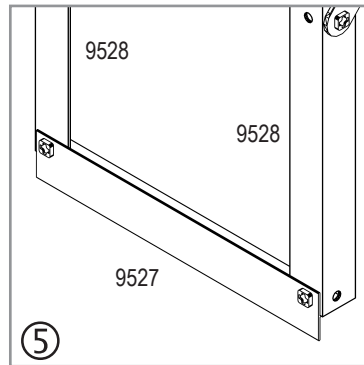
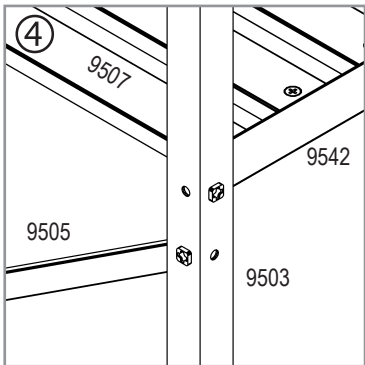
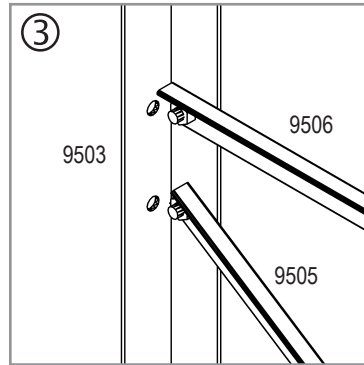
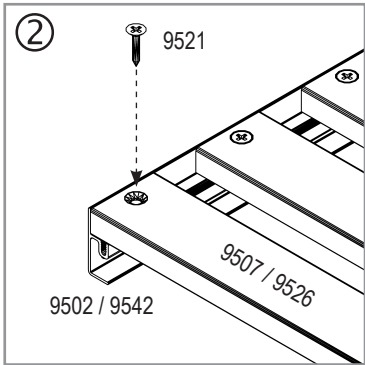
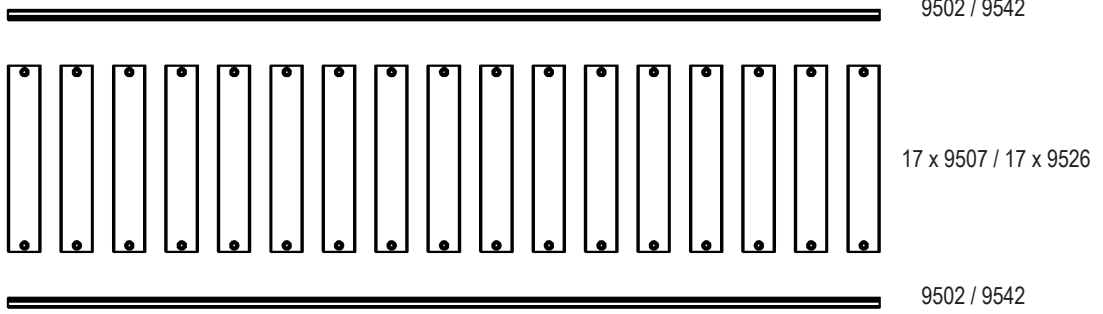
Top-Tier Staging



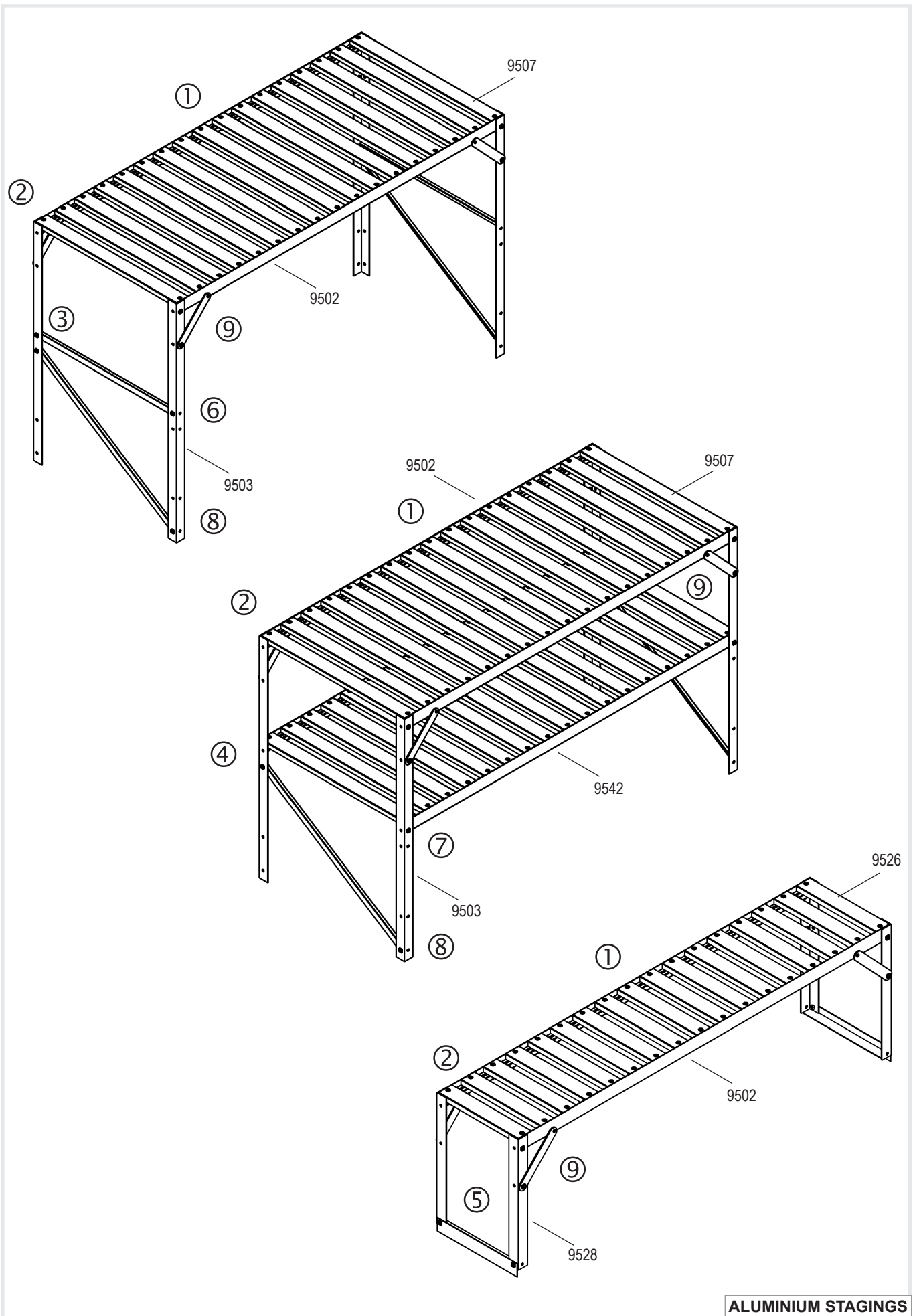
Vitavia
- makes living grow

ALUMINIUM STAGINGS

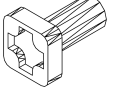
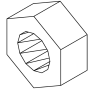
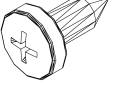
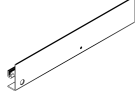
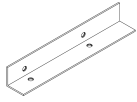
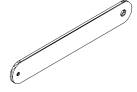

①


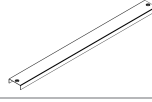
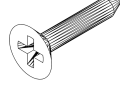
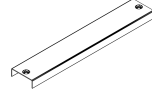
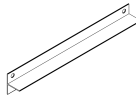
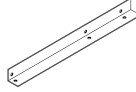
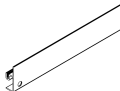


ALUMINIUM STAGINGS



ALUMINIUM STAGINGS

Item No.	Part	Size mm	Quantity		
			1 Tier	2 Tier	Top Tier
1001		M6 x 12	16	16	12
1002		M6	16	16	12
6084		3.5 x 9	4	4	4
9502		1200	2	2	2
9503		760	4	4	-
9504		165	4	4	4
9505		608	2	2	-

Item No.	Part	Size mm	Quantity		
			1 Tier	2 Tier	Top Tier
9506		518	2	-	-
9507		518	17	34	-
9521		3.5 x 22	34	68	34
9526		256	-	-	17
9527		258	-	-	2
9528		365	-	-	4
9542		1200	-	2	-



E.P.H. Schmidt u. Co. GmbH
 Sporbecker Weg 28 A
 58089 Hagen
 Postfach 3320
 58033 Hagen
 Deutschland
 Tel.: +49 2331 37555-0
 Fax: +49 2331 37555-55
 www.eph-schmidt.de
 verkauf@eph-schmidt.de

Vitavia
 - makes living grow

OPJ A/S
 Volderslevvej 36 A
 Postboks 480
 5260 Odense S
 Danmark
 Tel.: +45 66 15 10 30
 Fax: +45 66 15 00 84
 www.opj.dk
 opj@opj.dk